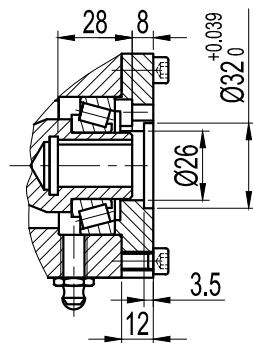
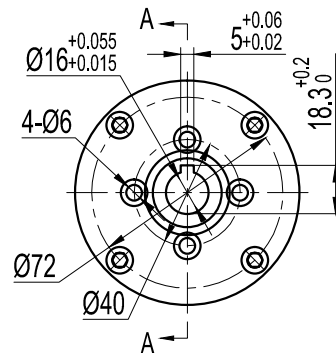


Section A-A




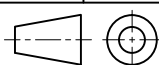
VIEW B



NOTE: Normally, no coating to all exposed surfaces of the slewing bearing.

On the dimensions with parenthesis:

- 1) These are for reference only.
- 2) This is a preliminary dimension and may vary in the actual product.
- 3) If this dimension is important to the application, please communicate this back to KMI.

DESIGNED BY	HG 2016/05/12		<b>KMI GROUP</b>		REV A
CHECKED BY	FJ 2016/05/12		www.kinematicsmfg.com		
APPROVED BY	WMS 2016/05/12				
ALL PROPRIETARY RIGHTS IN THE SUBJECT MATTER HEREOF ARE RESERVED, AND NO PERMISSION IS GRANTED TO REPRODUCE THIS PRINT IN WHOLE OR IN PART, OR TO DISCLOSE ANY OF THE INFORMATION TO OTHERS.		WEIGHT	SCALE	<b>SLEWING DRIVE</b>	
			NTS		
SYMBOL ISO	SIZE A3	SHEET 1/1	SE7C-73MHA-16MR-PKMI		
		THE TOLERANCE NOT MENTIONED IS REFERRED TO ISO 2768-VL, CASTING TOLERANCE ISO 8062-CT10			

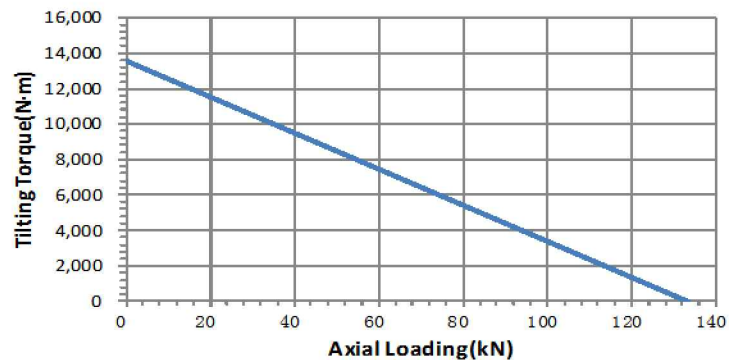
# SLEWING DRIVES PERFORMANCE DATA

**Model Code : SE7C-73MHA-16MR-PKMI**

Slew Drive Working Parameters		Motor Parameters	
Slewing Drive Ratio	73:1	Type Code	
Normal Output Torque	2,010 N·m	Rated Speed	RPM
Max. Output Torque(3 Sec.)	4,020 N·m	Rated Torque	N.m
Output Rated Speed	--	Peak Torque	N.m
Efficiency	30%	Rated voltage	VAC
Working Temperature Range	-20°C to +80°C	Rated Current	A
International Protection (IP)	55	IP	

Slewing Drive Capability				3D View	
Torsion Stiffness	780	Nm/mRad	Bending Stiffness	1,900	Nm/mRad
Normal Output Torque	2,010	N·m	1,483	ft·lb	
Max. Output Torque(3 Sec.)	4,020	N·m	2,965	ft·lb	
Backwards Holding Torque	7,034	N·m	5,188	ft·lb	
Tilting Torque	13,556	N·m	9,999	ft·lb	
Static Radial Rating	53.30	kN	11,982	lb	
Static Axial Rating	133.20	kN	29,943	lb	
Dynamic Radial Rating	27.90	kN	6,272	lb	
Dynamic Axial Rating	31.90	kN	7,171	lb	

**Tilting Torque VS Axial Loading**



DESIGNED BY	HG 2016/05/12	 <b>KMI GROUP</b> www.kinematicsmfg.com	WEIGHT	SCALE	<h2 style="margin: 0;">SLEWING DRIVE</h2>
CHECKED BY	FJ 2016/05/12			NTS	
APPROVED BY	WMS 2016/05/12				
ALL PROPRIETARY RIGHTS IN THE SUBJECT MATTER HEREOF ARE RESERVED, AND NO PERMISSION IS GRANTED TO REPRODUCE THIS PRINT IN WHOLE OR IN PART, OR TO DISCLOSE ANY OF THE INFORMATION TO OTHERS.			SHEET	1/1	SE7C -73MHA-16MR-PKMI
SYMBOLS ISO	SIZE A4 				